

# Trivia

## School chair

Design — Iiro Viljanen



---

The Trivia school chair is suitable for children of all sizes as its height can be easily adjusted. The chair is made of solid steel tube and laminate and is particularly durable.



---

**MATERIAL DESCRIPTION:**

**Frame and base:** grey, white or black.

**Seat and backrest:** white or birch laminate.

**Glides:** plastic or felt.

---

**PRODUCT CODE NUMBER:**

OT131

---

**ADJUSTMENTS:**

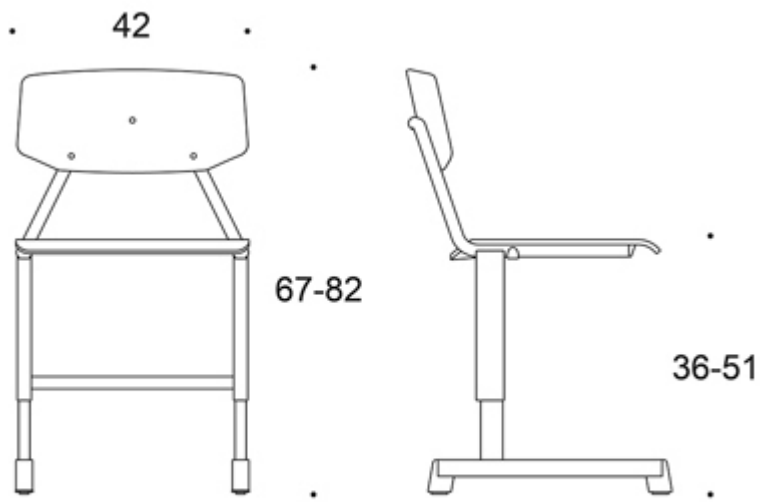
Sitting height 36 – 51 cm (6 steps).

---

**WEIGHT:**

6.5 kg

Dimensional drawing:



OT131