

Sola

Universal chair with sled base

Design — Antti Kotilainen



The Sola universal chair with a sled base is available without upholstery and with several upholstery options. Thanks to the row connection and stackability, the chairs are also ideal for learning environments.



MATERIAL DESCRIPTION:

Seat material: oak, ash or stained ash

Upholstery alternatives: without upholstery, seat upholstered, seat and backrest upholstered, fully upholstered

Base: white, black, chrome or Inspiring Colours

Felt glides

Armrests: plastic (black)

PRODUCT CODE NUMBER:

377D (DC/DBC/DD) = sled base, without upholstery, without armrests

378D (DC/DBC/DD) = sled base, without upholstery, with armrests

BC = upholstered seat and backrest

C = upholstered seat

D = fully upholstered

ACCESSORIES:

Row connector

Transport trolley

FABRIC CONSUMPTION:

Seat: 0.5 m / 2 pcs

Seat and backrest: 0.85 m / 2 pcs

Fully upholstered: 0.9 m

STACKABILITY:

377D trolley max 12 pcs

Floor max 10 pcs

CARBON FOOTPRINT:

Sola 377D: 6.9 kg CO₂e

Sola 377DBC: 8.1 kg CO₂e

Sola 377DC: 7.8 kg CO₂e

Sola 377DD: 10.2 kg CO₂e

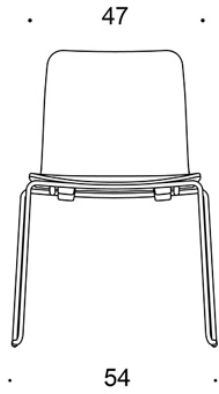
Sola 378D: 7.9 kg CO₂e

Sola 378DBC: 11.5 kg CO₂e

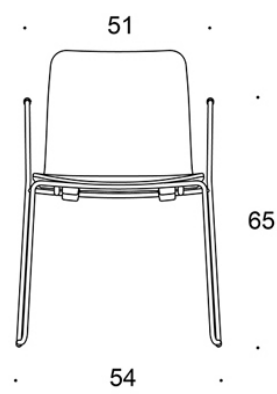
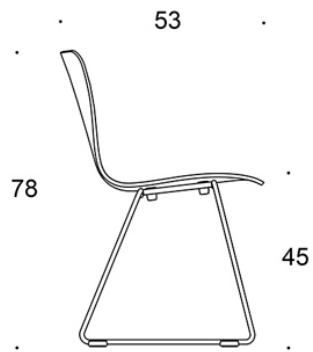
Sola 378DC: 9.2 kg CO₂e

Sola 378DD: 10.9 kg CO₂e

Dimensional drawing:



377D (DC/DBC/DD)



378D (DC/DBC/DD)

