

Snap

Folding table



The Snap folding table is suitable for adaptable working and learning environments, such as group work, lobby and restaurant spaces. The table is sturdy and the hidden castors make it easy to move. When folded, it takes up very little space, because the legs fold up in a compact way against the tabletop.

MATERIAL DESCRIPTION:

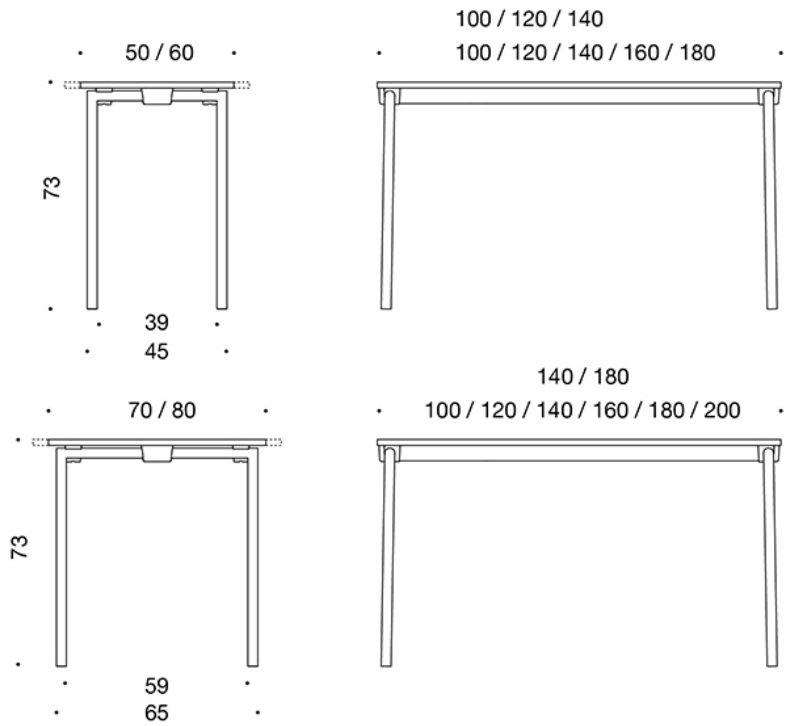
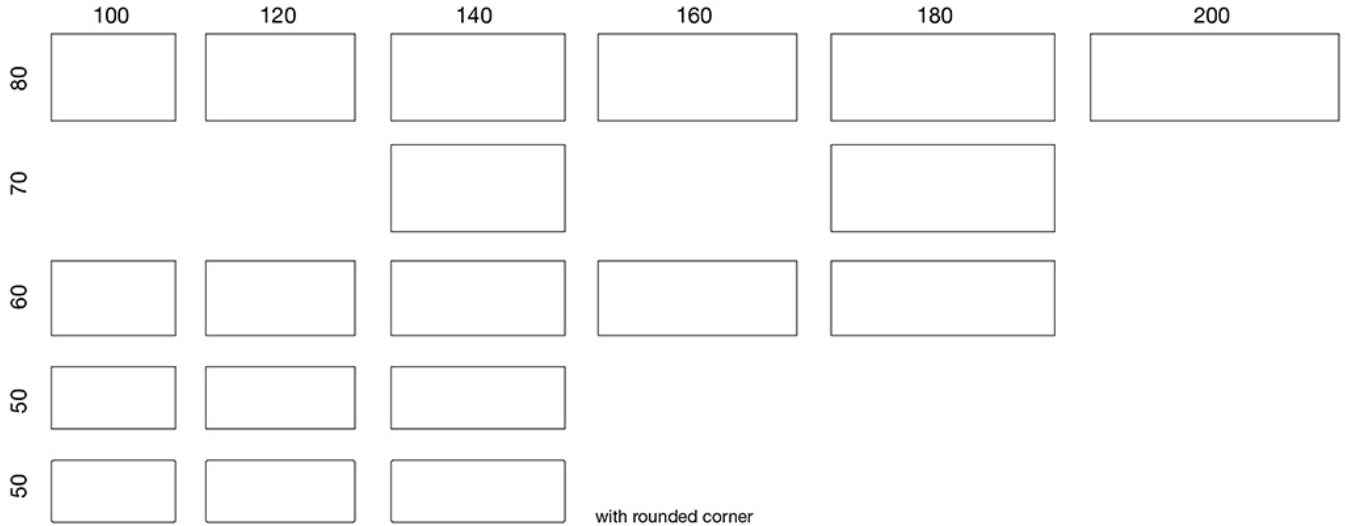
Table top: Conforming with E0,5 requirements, the table top is made of particle board with a laminate coating in birch pattern, white and grey or MDF board with veneer in birch, beech and oak.

Steel base: chrome (III-value), black and white with aluminium rail.

WEIGHT:

Size 140x60 cm / Table base 10 kg + table top 12.6 kg = 22,7 kg

Dimensional drawing:



Dimensional drawing 2:

