

Grip

School table

Design — Mikko Halonen



There are three different versions of the Grip school desk: two rectangular versions for one or two students and a triangular version (trapezium shape). Grip tables are sturdy, light to handle and easy to stack. The tables can be connected to each other and the design of the stand allows for row connection.



MATERIAL DESCRIPTION:

Top (OP0017): 80-30 x 54 cm.

Top sizes (OP121): 70x50, 120x50 cm (whole width of desk +10 cm).

Height: 74 cm.

Top (E0,5 particle board): laminate (white, birch pattern, grey).

Base: grey, white, black or Inspiring Colours.

PRODUCT CODE NUMBER:

School table OP121:

Top 70x50 cm, total length of the table 80 cm

Includes one backpack hook

Top 120x50 cm, total length of the table 130 cm

Backpack hook on both sides of the table

School table OP0017:

Top 80-30x54 cm, triangular team table

Includes one backpack hook

STACKABILITY:

OP0017: floor max 4 pcs

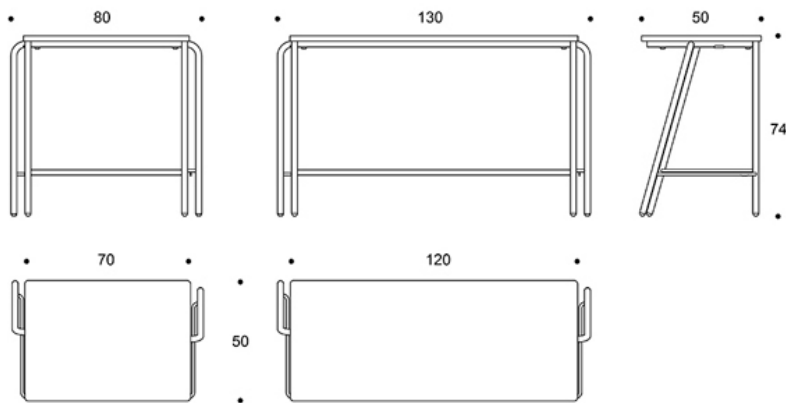
OP121: floor max 5 pcs

WEIGHT:

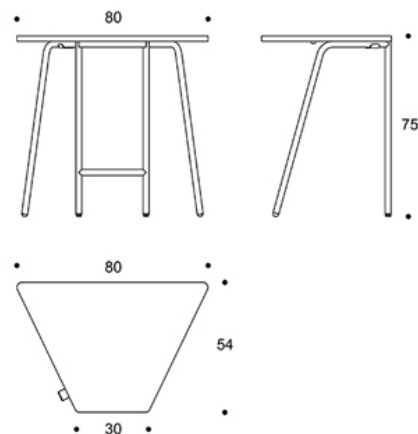
OP0017: 9.5 kg

OP121 (70x50): 12.4 kg

Dimensional drawing:



OP121



OP0017