

# Grip

## Universal table

Design — Mikko Halonen



---

Compact Grip tables have rounded corners for safety and are easy and light to handle. The tables can be connected into rows, with the desktops tightly next to each other without annoying gaps.



---

**MATERIAL DESCRIPTION:**

**Top sizes:** 120x80, 140x80, 160x80, 180x80 cm.

**Height:** 74 cm.

**Table materials:** base chrome, painted grey, white, black or Inspiring Colours.

**Top (E0,5 particle board):** laminate, white, grey or with birch pattern.

---

**PRODUCT CODE NUMBER:**

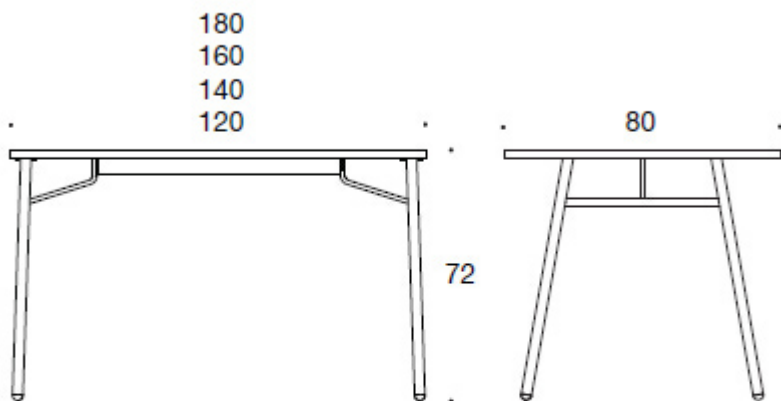
OP111

---

**WEIGHT:**

**27 kg (L = 120 cm), 33 kg (L 160 cm)**

Dimensional drawing:



OP111