

Grip NxT

Chair with sled base

Design — Mikko Halonen



The Grip NxT with sled base is a stackable universal chair for schools. The chair without upholstery can be hung from its back on a tabletop without a separate hanger. Available with two backrest heights. Even young pupils will be able to lift their tray over the backrest to the dining table.



MATERIAL DESCRIPTION:

Base: chrome, painted grey, white, black or Inspiring Colours

Felt glides, row connection

Form-pressed seat and high backrest in laminate:

oak or birch pattern, white, grey, green, red and turquoise

Form-pressed low backrest in laminate: white and grey

Upholstered seat cushion also available

PRODUCT CODE NUMBER:

NxT0017(C) = high backrest with lifting hole

NxT0017M(C) = low backrest

C = upholstered seat

ACCESSORIES:

Felt glides, row connection and a transport trolley.

FABRIC CONSUMPTION:

0.5 m / 2 pcs

ADJUSTMENTS:

Chair without upholstery can be hung without a separate fitting.

Stackable.

STACKABILITY:

NxT0017: In chair trolley max 16 pcs

NxT0017C: In chair trolley max 14 pcs

NxT0017M: In chair trolley max 20 pcs

WEIGHT:

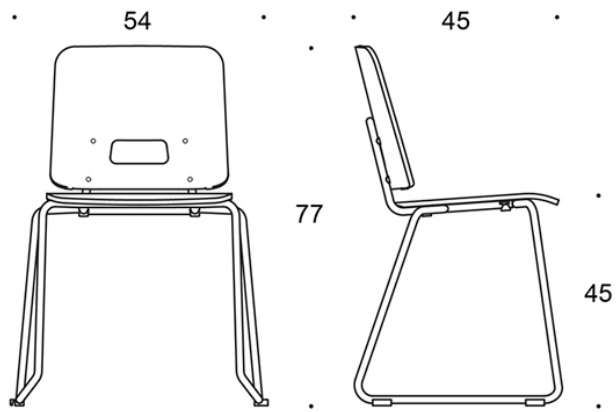
NxT0011: 5 kg

NxT0011C: 5.4 kg

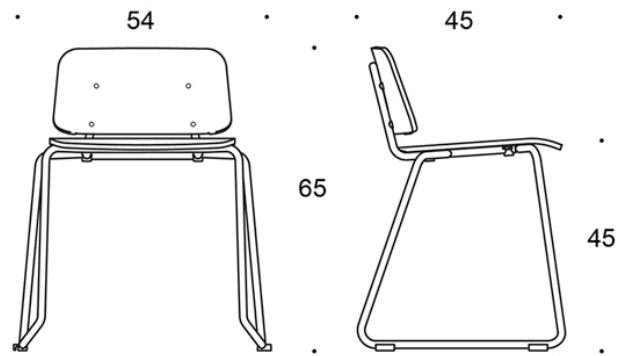
NxT0011M: 4.7 kg

NxT0011MC: 5.1 kg

Dimensional drawing:



NXT0017



NXT0017M

Standard materials:



L11



L31



L32



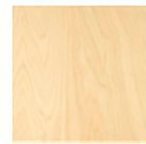
L36



L43



TL1



KL