

Grip NxT

Chair with five star base and height adjustment

Design — Mikko Halonen



The Grip NxT task chair is suitable for both learning and working environments. The chair is easy to lift with the opening in the backrest and the seat height is adjustable with a gas spring. The chair can be hung from its back on a tabletop without a separate hanger. Available in two different heights.



MATERIAL DESCRIPTION:

Base (ø 608 mm): polished aluminium or black plastic star base

Castors or glides

The form-pressed seat and backrest in laminate: oak or birch pattern, white, grey, green, orange and turquoise

Upholstered seat cushion also available

PRODUCT CODE NUMBER:

NxT0013(C)

NxT0013XY(C) = with footring

C = upholstered seat

ACCESSORIES:

Higher base (XY) and foot ring.

FABRIC CONSUMPTION:

0.5 m / 2 pcs

ADJUSTMENTS:

Seat height adjustable with a gas spring.

Adjustment range 37-50 cm, the higher XY version adjustment range 43-62 cm.

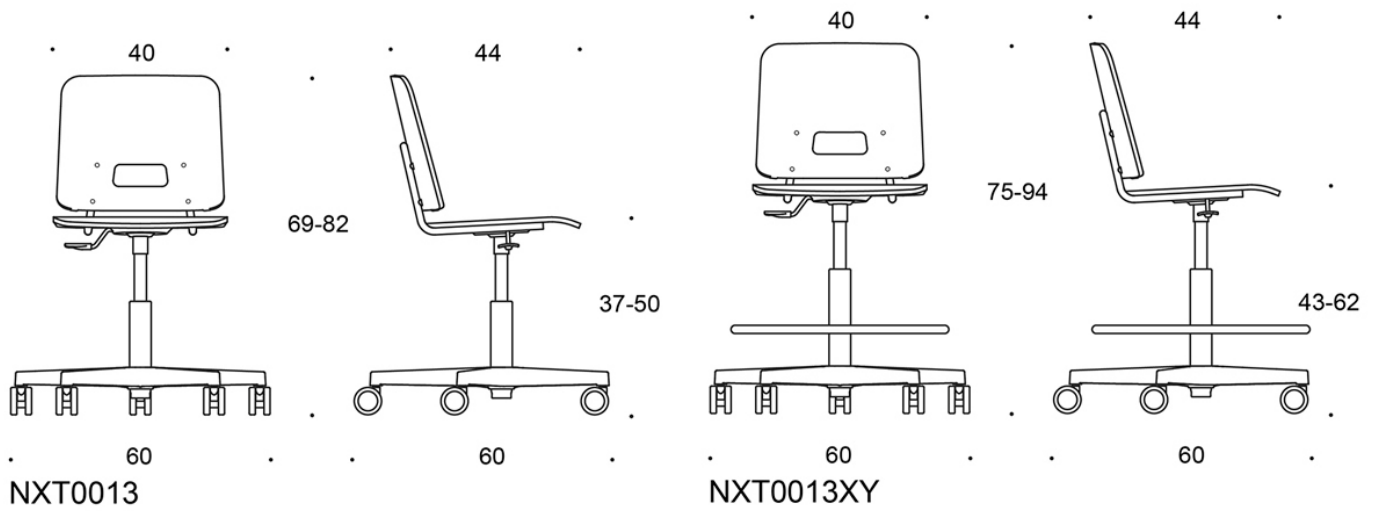
Can be hung without a separate fitting.

WEIGHT:

NxT0013: 5.8 kg

NxT0013XY: 8.3kg

Dimensional drawing:



Standard materials:



L11



L31



L32



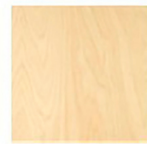
L36



L43



TL1



KL