

Grip NxT

Chair with four leg base

Design — Mikko Halonen



Grip NxT is a light and sturdy universal chair for schools. The chair is stackable and a transport and storage trolley is available. The chair without upholstery can be hung from its back on a tabletop without a separate hanger. The chair has two backrest heights.



MATERIAL DESCRIPTION:

Base: chrome, painted grey, white, black or Inspiring Colours

Row connection available

Form-pressed seat and high backrest in laminate:

oak or birch pattern, white, grey, green, red and turquoise

Form-pressed low backrest in laminate: white and grey

Upholstered seat cushion also available

PRODUCT CODE NUMBER:

NxT0011(C) = high backrest with lifting hole

NxT0011M(C) = low backrest

C = upholstered seat

ACCESSORIES:

Felt glides, row connection and a transport trolley.

FABRIC CONSUMPTION:

0.5 m / 2 pcs

ADJUSTMENTS:

Chair without upholstery can be hung without a separate fitting.

Stackable.

STACKABILITY:

NxT0011: In chair trolley max 18 pcs

NxT0011C: In chair trolley max 16 pcs

NxT0011M: In chair trolley max 18 pcs

NxT0011MC: In chair trolley max 16 pcs

WEIGHT:

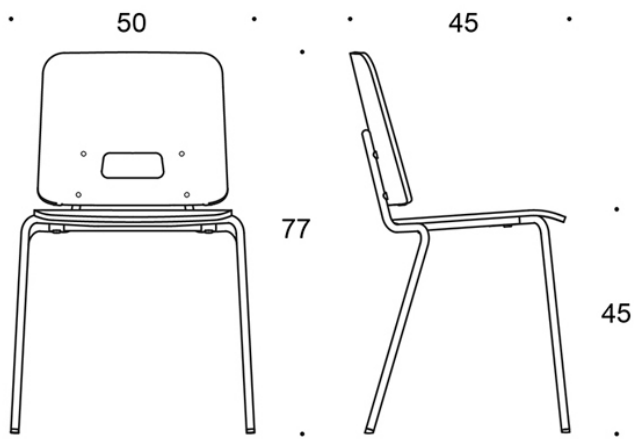
NxT0011: 4.5 kg

NxT0011C: 4.8 kg

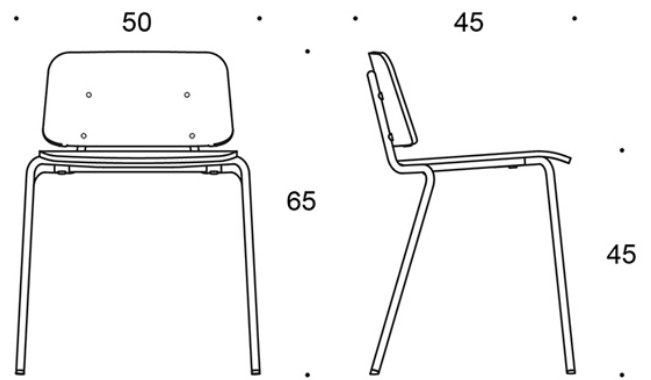
NxT0011M: 4.2 kg

NxT0011MC: 4.5 kg

Dimensional drawing:



NXT0011



NXT0011M

Standard materials:



L11



L31



L32



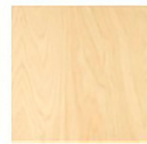
L36



L43



TL1



KL